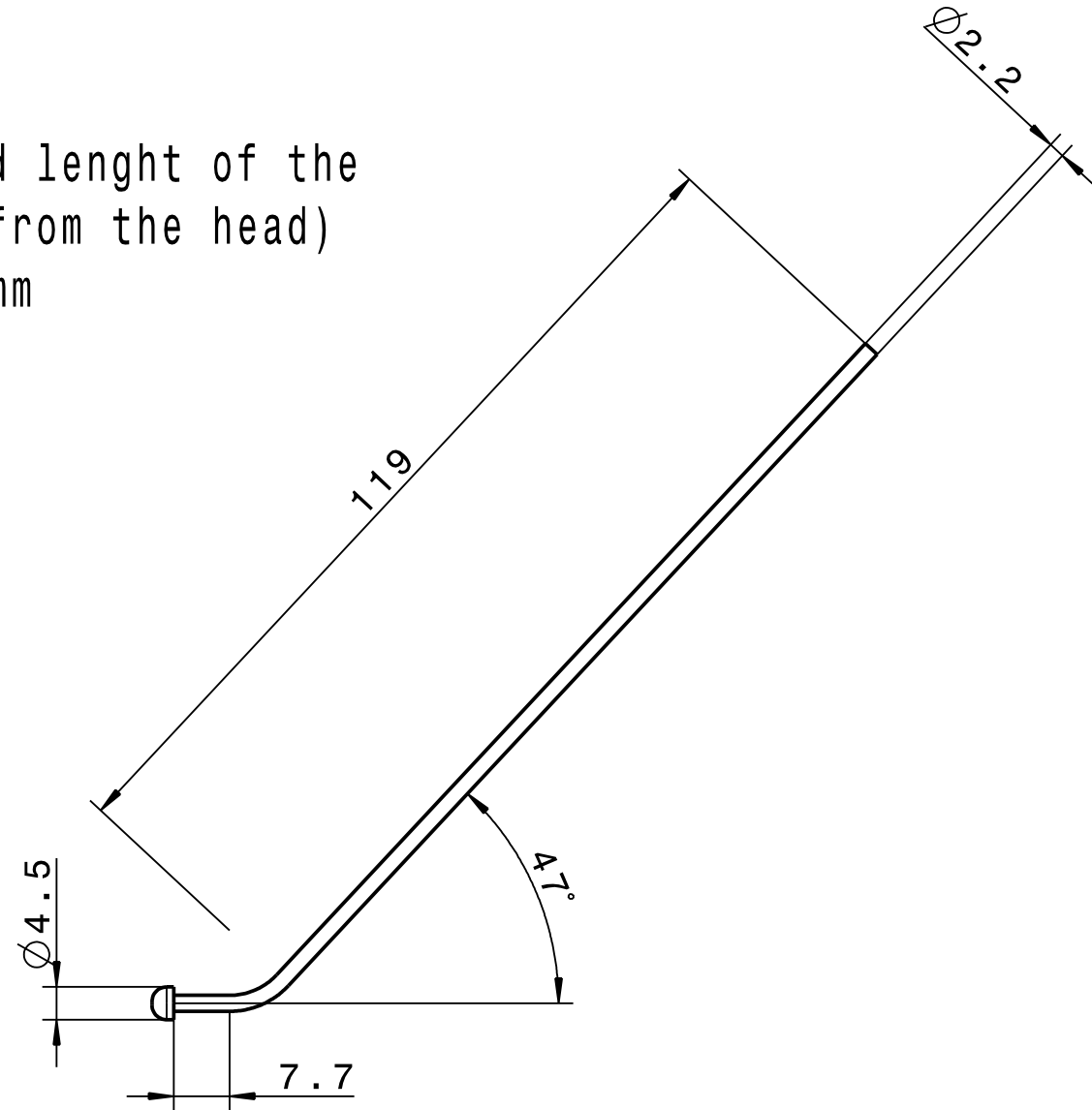


Unbended length of the
spokes(from the head)
is: 135mm



DRW_HG1_New_Spokes		$\sqrt{\text{Rz 25}}$	M 1:2
			Material:
	Date	Name	20inch_Spokes
	08.05.2011	Dennis	
	Quantity	50x	
		Crystalyte	Drawing_012