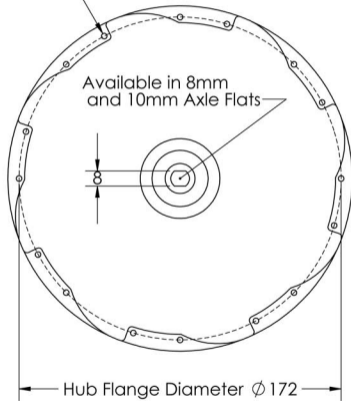
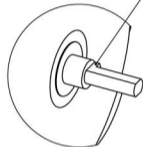


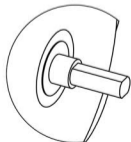
Spoke Hole $\phi 3$



Torque Tab
on non-cable side



8mm Axle Flat Detail



10mm Axle Flat Detail
(no torque tab)